

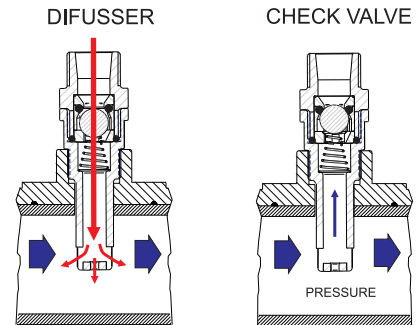
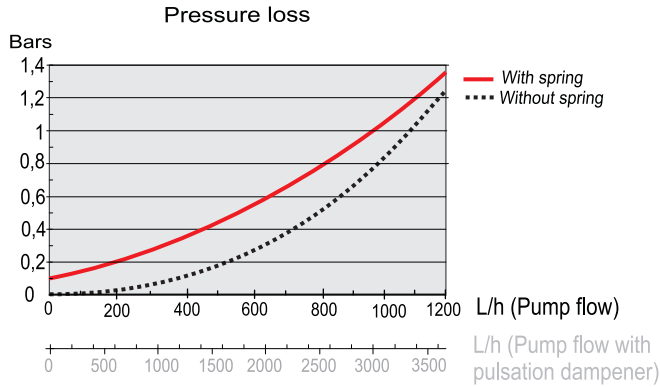
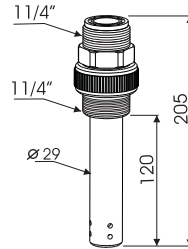
INJECTION VALVE 1 1/4"



ACC 054

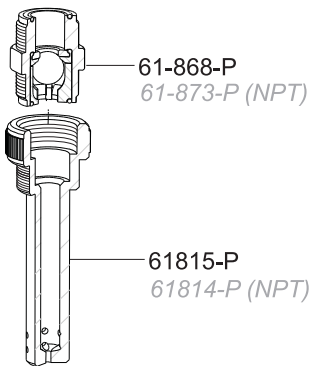
TECHNICAL FEATURES

Maximum flow.....1200l/h
 Connection thread.....1"1/4BSP /(1"1/4NPT)
 Opening pressure.....0,1 bar

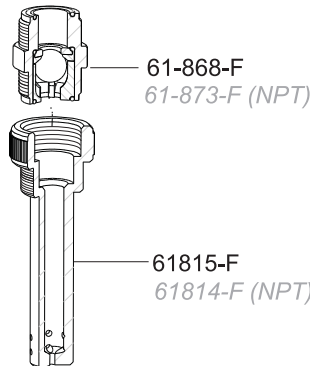


INJECTION VALVE 1 1/4"

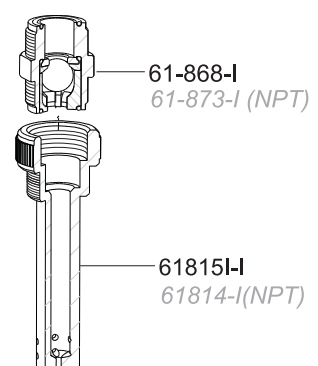
Polypropylene 61-854-P
 61-858-P (NPT)



PVDF 61-854-F
 61-858-F (NPT)

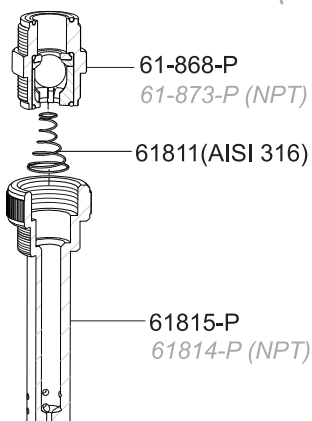


AISI 316 61-854-I
 61-858-I (NPT)

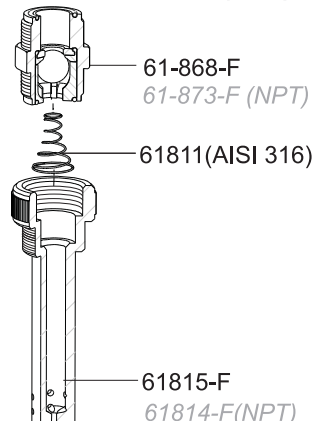


INJECTION VALVE 1 1/4" SPRING LOADED

Polypropylene 61-855-P
 61-856-P (NPT)



PVDF 61-855-F
 61-856-F (NPT)



AISI 316 61-855-I
 61-856-I (NPT)

